



COMPACT EXCAVATOR SALES LLC

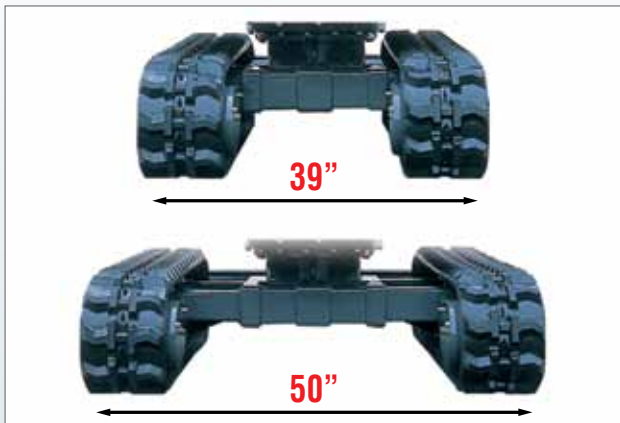
400 Production Court
 Elizabethtown, KY 42701
 Phone: 800.538.1447 Fax 270.737.0419
 www.ihices.com



17VX³

Operability

- Equipped with wide spanner



With the widest ranging expandable tracks in it's class , the 17VX-3 can access tight spaces by retracting the tracks to 39" and expanding to 50" for greater stability and performance.

- Accessible to 39" narrow space



The upper structure has a width of 39". the 17VX-3 can access a space as narrow as 39" when the undercarriage is retracted.

- Retractable backfill blade extension (optional)



The blade width can be easily adjusted, offering you the flexibility to fit the job. Adjustment is simple and easy with the two fastening pins.

- Powerful bucket digging force : 5,447 lbs.
- Standard Pattern Change Valve
- Equipped with 4-pump system
- Comfortable joystick control with armrest
- Smallest front radius in its class : 59"

Easy Maintenance

- Wide, fully opening engine-cover enables ease of maintenance
- Segmented boom cylinder hose design makes replacement easier



Maintenance is made easy with the fully opening engine cover and the radiator and oil cooler are made of aluminum for super corrosion resistance.



- Corrosion-free, resin fuel-tank
- Highly anti-corrosive aluminum radiator

Durability

- Thick rubber shoe provides higher durability
- Rugged steel-pressed, engine cover
- Highly durable backfill blade
- Bucket cylinder hose built inside the arm

Safety

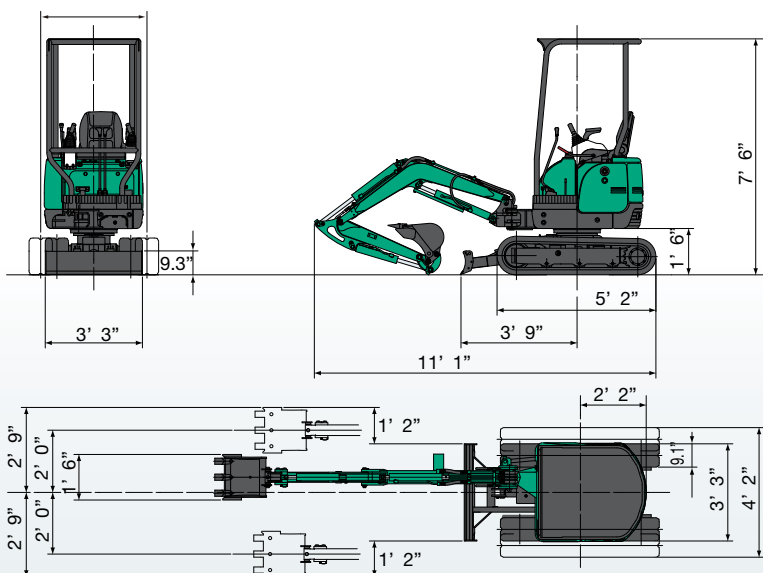
- Swing motor with automatic parking brake
- Gate lock system as standard equipment
- 4-Post canopy (ROPS) as standard equipment

17VX3 Mini Excavator

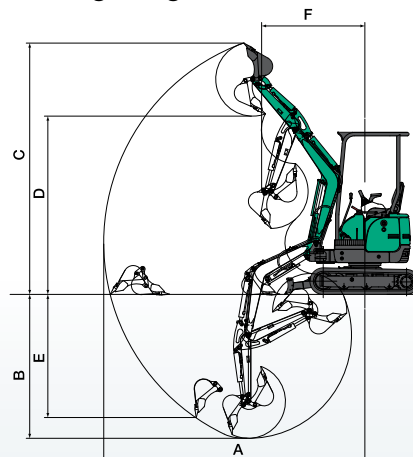
Standard Bucket Capacity : 1.6 cu. ft.



■ Dimensions



■ Working Range



	4-Post Canopy
A Max. digging radius	12'4"
B Max. digging depth	7'0"
C Max. digging height	11'10"
D Max. dumping height	8'5"
E Max. vertical digging depth	5'10"
F Min. front turning radius	4'11"
At right boom swing	4'2"

■ 17VX3 Specifications

Performance		Boom swing system	
Bucket capacity	1.6 cu. ft.	Type	Boom offset with hydraulic cylinder
Bucket width	18"	Swing angle (L/R)	55°/80°
Operating weight: 4-Post	3,583 lbs.	Hydraulic system	
Transportation weight: 4-Post	3,417 lbs.	Pressure	3000 psi
Swing speed	9.5 min ⁻¹	Pump • type/hydraulic flow	2 Piston/2 Gear • 4.5 gal/min x 2 + 3.2 gal/min
Travel speed (low/high)	1.3/2.5 mph	Dozer blade	
Gradeability	30°	Size	37.8" x 9.3"
Ground pressure	3.8 psi	Lift above ground / Drop below ground	10.8"/12"
Max bucket digging force	5,447 lbs.	Max auxiliary flow	
Engine		Auxiliary line	7.7 gal/min
Model	YANMAR 3TNV70		
Rated output	13.42 hp/2,300 rpm		
Fuel tank capacity	5.3 gallons		

■ Options

Bucket

- 8"
- 12"
- 18"(standard)
- 24"
- 39" Ditch Cleaning Bucket
- 39" Hydraulic Swivel Bucket

- Auxiliary piping ①
- Additional counterweight*..... ②
- Blade extensions* ③
- Hydraulic thumb*
- Quick coupler*
- * (optional)



Distributed by **Compact Excavator Sales LLC**

400 Production Court, P.O. Box 667 • Elizabethtown, KY 42702-0667 • Phone: 1-800-538-1447 • Fax: 270-737-0419

www.ihices.com