

# IHI

COMPACT EXCAVATOR SALES LLC

400 Production Court  
 Elizabethtown, KY 42701  
 Phone: 800.538.1447 Fax 270.737.0419  
 www.ihices.com

## 25VX<sup>3</sup>



### Operability

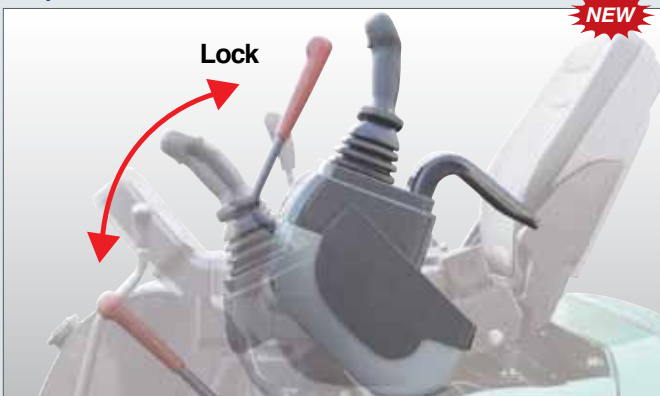
#### Newly designed operator's space



The new redesigned operators station includes such features as a newly designed monitor, 2 speed travel switch located on the backfill blade lever, and the auxiliary hydraulic switch located on the joystick.

### Safety

#### Gate lock system as standard equipment is designed to disable all operations



The master gate lock system enables you to disable all functions such as boom, arm, bucket, swing, boom swing, travel and backfill blade.

#### ■ Neutral engine start system

The engine will only start when the gate-lock is pulled up to avoid mis-operations.

#### ■ Swing motor with auto parking brake

The swing motor with an auto parking brake allows the unit to be locked at any position within a 360° circumference.

### Easy Maintenance

#### Wide, fully opening engine-cover enables ease of maintenance



- Segmented boom cylinder hose design makes replacement easier
- Segmented blade cylinder hose design makes replacement easier

- Filters are conveniently located, making it easy to replace them
- Sintered bushes create longer interval for greasing

### Durability



- Highly durable backfill blade made even stronger



- Embedded boom center working lights



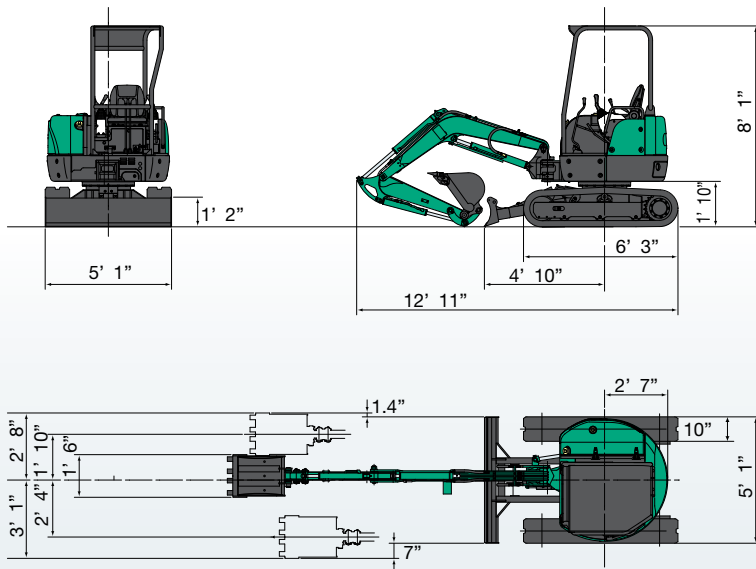
- Bucket cylinder hose built inside the arm

# 25VX3 Mini Excavator

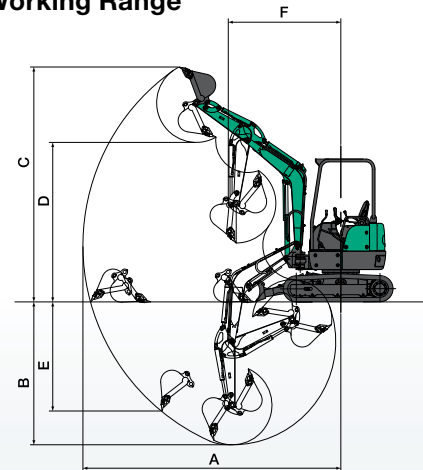
Standard Bucket Capacity : ISO 2.8 cu. ft.



## ■ Dimensions



## ■ Working Range



	4-Post or Cabin
A Max. digging radius	14'9"
B Max. digging depth	8'3"
C Max. digging height	13'3"
D Max. dumping height	9'0"
E Max. vertical digging depth	6'5"
F Min. front turning radius	6'4"
At right boom swing	4'11"

## ■ 25VX3 Specifications

Performance		Boom swing system	
Bucket capacity	2.8 cu. ft.	Type	Boom offset with hydraulic cylinder
Bucket width	18"	Swing angle (L/R)	50°/90°
Operating weight: 4-Post(Cabin)	6,175 lbs. (6,395 lbs.)	<b>Hydraulic system</b>	
Transportation weight: 4-Post(Cabin)	5,911 lbs. (6,131 lbs.)	Pressure	3000 psi
Swing speed	10 min <sup>-1</sup>	Pump • type/hydraulic flow	2 Piston/2 Gear•7.9 gal/min x 2 + 5.2 gal/min
Travel speed (low/high)	1.5/2.8 mph	<b>Dozer blade</b>	
Gradeability	30°	Size	61"x14.4"
Ground pressure	3.9 psi	Lift above ground / Drop below ground	14.6"/15.4"
Max bucket digging force	5,698 lbs.	<b>Max auxiliary flow</b>	
<b>Engine</b>		1st line	12.7 gal/min
Model	YANMAR 3TNV76		
Rated output	18.42 hp/2300 rpm		
Fuel tank capacity	9.2 gallons		

## ■ Options

### Bucket

- 8"
- 12"
- 18"(standard)
- 24"
- 39" Ditch Cleaning Bucket
- 39" Hydraulic Swivel Bucket

- Embedded boom light.....①
- Steel cabin \*.....②
- Auxiliary hydraulic Piping
- Hydraulic thumb \*
- Quick coupler \*
- Steel Tracks \*
- \* (optional)



①



②

Distributed by **Compact Excavator Sales LLC**

400 Production Court, P.O. Box 667 • Elizabethtown, KY 42702-0667 • Phone: 1-800-538-1447 • Fax: 270-737-0419

[www.ihices.com](http://www.ihices.com)