



30VX³

IHI

COMPACT EXCAVATOR SALES LLC

400 Production Court
 Elizabethtown, KY 42701
 Phone: 800.538.1447 Fax 270.737.0419
 www.ihices.com

Operability

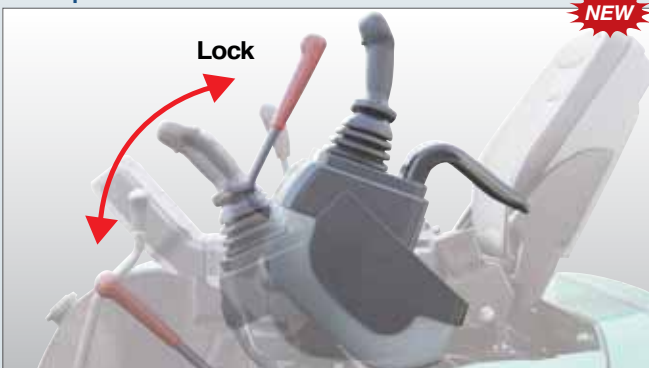
■ Newly designed operator's space



The new redesigned operators station includes such features as a newly designed monitor, 2 speed travel switch located on the backfill blade lever, and the auxiliary hydraulic switch located on the joystick.

Safety

■ Gate lock system as standard equipment is designed to disable all operations



The master gate lock system enables you to disable all functions such as boom, arm, bucket, swing, boom swing, travel and backfill blade.

■ Swing motor with auto parking brake

The swing motor with an auto parking brake allows the unit to be locked at any position within a 360° circumference.

■ Neutral engine start system.

The engine will only start when the gate-lock is pulled up to avoid mis-operations.

Easy Maintenance

■ Segmented blade cylinder hose design makes replacement easier



■ Segmented boom cylinder hose design makes replacement easier



- Wide, fully opening engine-cover enables ease of maintenance
- Filters are conveniently located, making it easy to replace them
- Sintered bushes create longer interval for greasing
- Corrosion-free, resin fuel-tank

Durability



■ Warranted, highly durable rubber track comes as standard equipment

Like no others in the industry, the rubber track is warranted for either 2 years or 1,500 hours against steel cord cut-off.

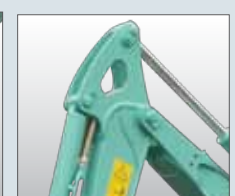
■ Highly durable backfill blade made even stronger



■ Embedded boom center working lights



■ Bucket cylinder hose built inside the arm

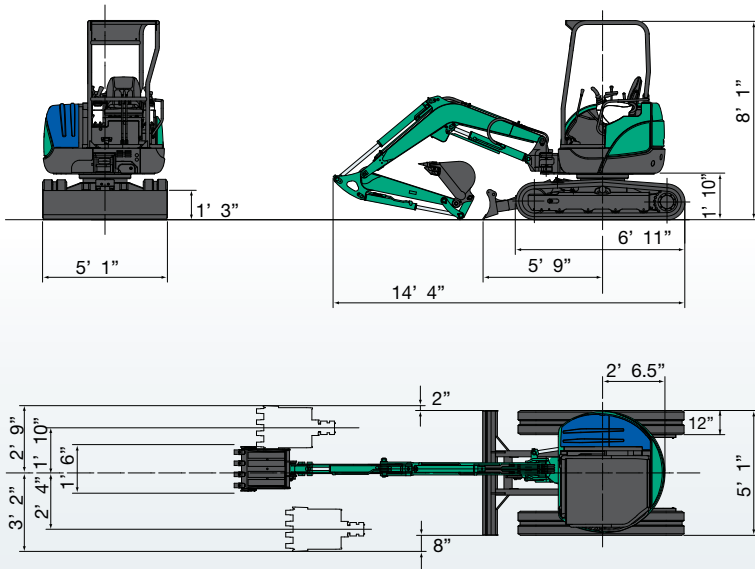


30VX3 Mini Excavator

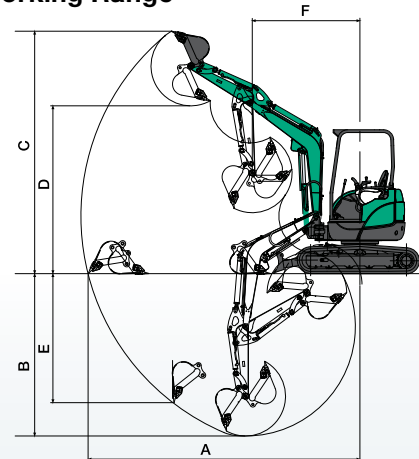
Standard Bucket Capacity : ISO 3.2 cu. ft.



■ Dimensions



■ Working Range



	4-Post/Cabin
A Max. digging radius	16'8"
B Max. digging depth	10'6"
C Max. digging height	14'2"
D Max. dumping height	10'0"
E Max. vertical digging depth	8'5"
F Min. front turning radius	7'3"
At right boom swing	5'8"

■ 30VX3 Specifications

Performance		Boom swing system	
Bucket capacity	3.2 cu. ft.	Type	Boom offset with hydraulic cylinder
Bucket width	18"	Swing angle (L/R)	50°/90°
Operating weight: 4-Post(Cabin)	7,075 lbs. (7,295 lbs.)	Hydraulic system	
Transportation weight: 4-Post(Cabin)	6,615 lbs. (6,834 lbs.)	Pressure	3,150 psi
Swing speed	9.2 min ⁻¹	Pump • type/hydraulic flow	2 Piston/2 Gear • 9.0 gal/min x 2 + 5.2 gal/min
Travel speed (low/high)	1.6/3.0 mph	Dozer blade	
Gradeability	30°	Size	61"x15"
Ground pressure	4.1 psi	Lift above ground / Drop below ground	14.2"/16.1"
Max bucket digging force	7,180 lbs.	Max auxiliary flow	
Engine		1st line	14.3 gal/min
Model	YANMAR 3TNV84	2nd line (optional)	5 gal/min
Rated output	24.2 hp/2200 rpm		
Fuel tank capacity	10.6 gallons		

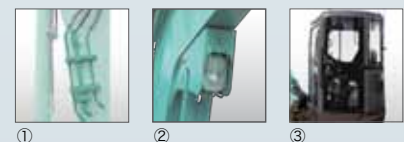
■ Options

Bucket

- 8"
- 12"
- 18"(standard)
- 24"
- 39" Ditch cleaning bucket
- 39" Hydraulic swivel bucket

- 1st auxiliary piping
- 2nd auxiliary piping * ...①
- 3rd auxiliary piping *
- Embedded boom light **②
- Steel cabin *③
- Hydraulic thumb *

- Steel tracks *
- Quick coupler *
- (optiona)



Distributed by **Compact Excavator Sales LLC**

400 Production Court, P.O. Box 667 • Elizabethtown, KY 42702-0667 • Phone: 1-800-538-1447 • Fax: 270-737-0419

www.ihices.com