

IHI

COMPACT EXCAVATOR SALES LLC

400 Production Court
 Elizabethtown, KY 42701
 Phone: 800.538.1447 Fax 270.737.0419
 www.ihices.com

65VX³



Operability

■ Newly designed operator's space



The new redesigned operators station includes such features as a newly designed monitor, a 2 speed travel switch located on the backfill blade lever, and the auxiliary hydraulic switch located on the joystick.

Durability

■ Engine throttle turn-dial



■ Highly durable backfill blade made even stronger



■ Embedded boom center working lights

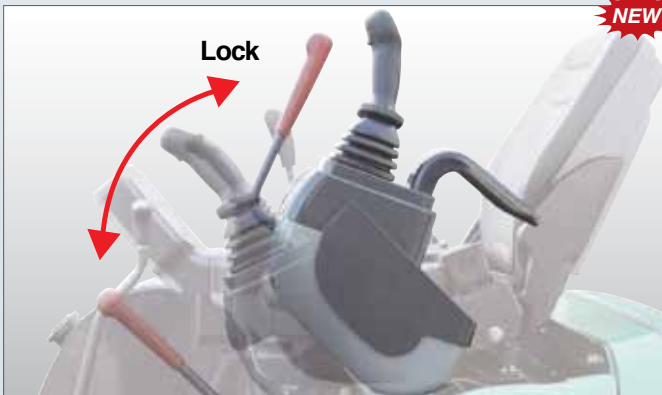


■ Bucket cylinder hose built inside the arm



Safety

■ Gate lock system as standard equipment is designed to disable all operations



The master gate lock system enables you to disable all functions such as boom, arm, bucket, swing, boom swing, travel and backfill blade.

■ Swing motor with auto parking brake

The swing motor with an auto parking brake allows the unit to be locked at any position within a 360° circumference.

■ Neutral engine start system.

The engine will only start when the gate-lock is pulled up to avoid mis-operations.

Easy Maintenance

■ Wide, fully opening engine-cover enables ease of maintenance



■ Filters are conveniently located, making it easy to replace them

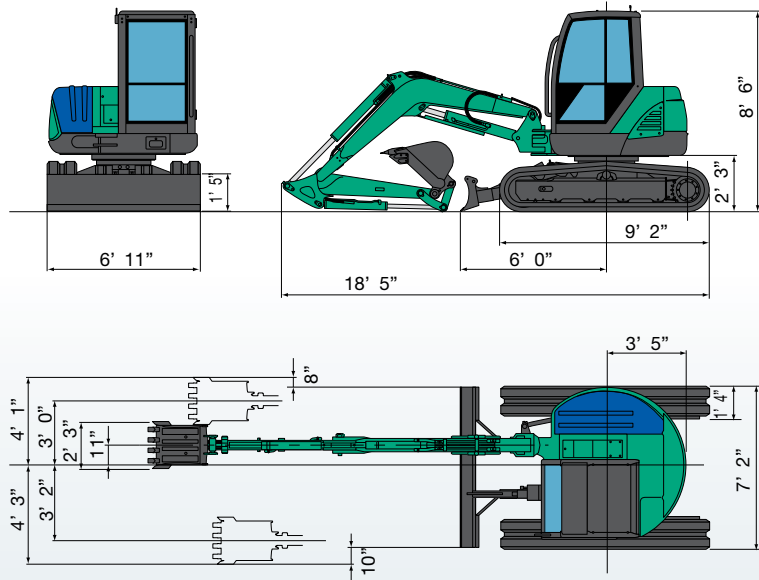
■ Sintered bushes create longer interval for greasing

65VX3 Midi Excavator

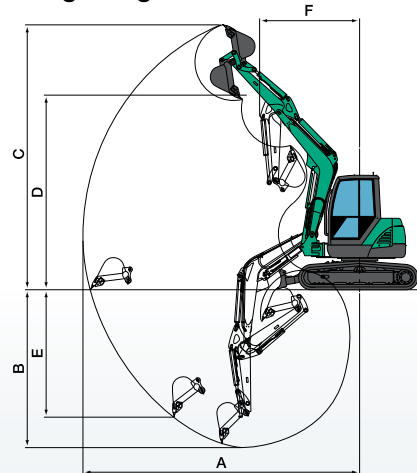
Standard Bucket Capacity : ISO 7.0 ft³




■ Dimensions



■ Working Range



	4-Post/Cabin
A Max. digging radius	21'4"
B Max. digging depth	12'10"
C Max. digging height	19'0"
D Max. dumping height	13'9"
E Max. vertical digging depth	9'10"
F Min. front turning radius	9'3"
At right boom swing	7'0"

■ 65VX3 Specifications

Performance		Boom swing system	
Bucket capacity	7.0 ft ³	Type	Boom offset with hydraulic cylinder
Bucket width	30"	Swing angle (L/R)	50°/90°
Operating weight: 4 Post (Cabin)	14,050 lbs. (14,400 lbs.)	Hydraulic system	
Transportation weight: 4 Post (Cabin)	13,600 lbs. (13,950 lbs.)	Pressure	3,553 psi
Swing speed	9.5 min ⁻¹	Type • Pump hydraulic flow	1 Piston • 23.8 gal/min
Travel speed (low/high)	1.6/2.3 mph	Dozer blade	
Gradeability	30°	Size	82"x17"
Ground pressure	4.4 psi	Lift above ground / Drop below ground	14"/17"
Max bucket digging force	12,100 lbs.	Max auxiliary flow	
Engine		1st line	17.2 gal/min
Model	YANMAR 4TNV98	2nd line (optional)	9.5 gal/min
Rated output	55hp/2,400 rpm		
Fuel tank capacity	22.5 gallons		

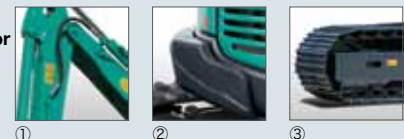
■ Options

Bucket

- 12"
- 18"
- 24"
- 30" (standard)
- 36"
- 60" Ditch cleaning bucket
- 60" Hydraulic swivel bucket

- 1st auxiliary piping }①
- 2nd auxiliary piping * }②
- 3rd auxiliary piping * }③
- Additional counterweight (639 lbs.)...②
- Steel track *(15.8").....③
- Quick coupler *
- Hydraulic thumb *
- Rubber pad for steel track *

- Air conditioner *
- Steel cabin *
- Automatic decelerator
- * (optional)



Distributed by **Compact Excavator Sales LLC**

400 Production Court, P.O. Box 667 • Elizabethtown, KY 42702-0667 • Phone: 1-800-538-1447 • Fax: 270-737-0419

www.ihices.com