

80VX

IHI

COMPACT EXCAVATOR SALES LLC

400 Production Court
Elizabethtown, KY 42701
Phone: 800.538.1447 Fax: 270.737.0419
www.ihices.com



Comfortable operating environment.

A wide cabin offering the largest space in its class



New environmentally friendly 3.3L engine.

Engine compliant with EC Stage IIIA and EPA Interim Tier4.

Eco-friendliness and Safety

- Engine compliant with EC Stage IIIA and EPA Interim Tier4.
- Conform to the EC low noise regulation.
- Swing parking brake equipped as standard.

Easy Operation

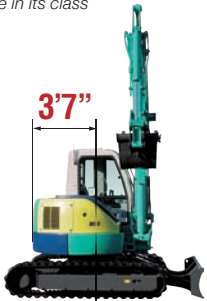
- Closer distance between bucket and backfill blade.
- Joystick lever control enables precision operation.
- Keeps boom drift at minimal levels.
- Largest operation space in its class.
- A large backfill blade makes backfilling easier and offers high durability.
- Rear end swing radius is 3'7".

Easy Maintenance

- Sintering metal bush extends greasing interval.
- Aluminum made radiator and oil cooler resist rusting.
- Segmented boom cylinder hoses for easier replacement.
- Large engine cover for easy maintenance.

Rugged Body

- The engine cover and the side cover are pressed steel and very rugged.
- Bucket cylinder hoses are placed inside the arm.



Compact size zero tail swing.

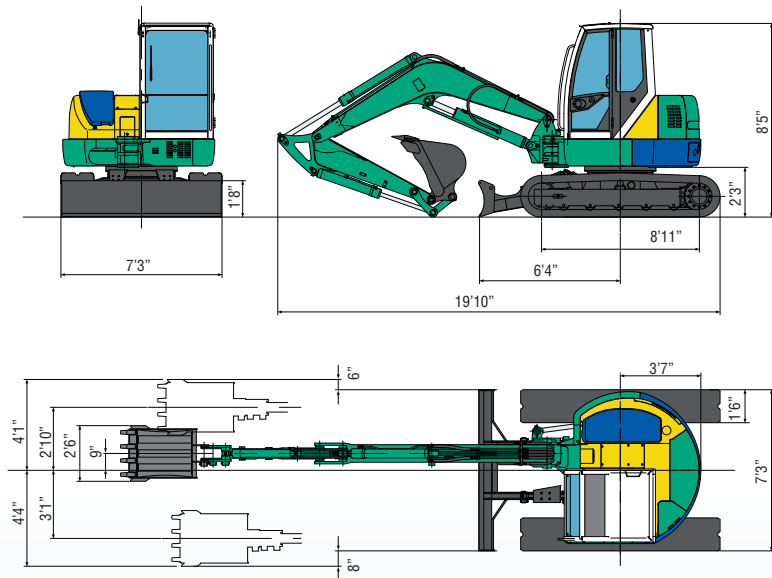
Offers zero tail swing with a 7'2" width, especially beneficial when working in tight spaces.



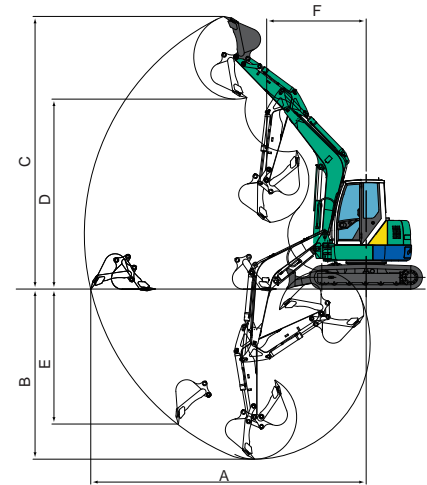
Large backfill blade.

A large, 20" high backfill blade is equipped as standard. It makes backfilling easier and offers high durability.

■ Dimensions



■ Working Range



	Cabin
A Max. digging radius	23'4"
B Max. digging depth	15'1"
C Max. digging height	22'9"
D Max. dumping height	16'0"
E Max. vertical digging depth	11'9"
F Min. front turning radius	8'5"
At right boom swing	7'3"



80VX

Midi Excavator

Standard Bucket Capacity: ISO 8.8 cu. ft.

*Smooth and Powerful Operation.
8.0 metric ton Zero Tail Swing Midi Excavator*

■ 80VX Specifications

Model	80VX
• Performance	
Bucket capacity	8.8 cuft
Bucket width	30"
Operating weight : Cabin	18100 lbs
Transportation weight : Cabin	17635 lbs
Swing speed	9.2 mph
Travel speed (low/high)	1.6 mph / 2.7 mph
Gradeability	30°
Ground pressure	5.2 psi
Max.bucket digging force	14730 lbs
• Engine	
Model	YANMAR 4TNV98
Rated output	58.7 hp / 2100 rpm
Fuel tank capacity	22.5 gal
• Boom swing system	
Type	Boom offset with hydraulic cylinder
Swing angle (L/R)	50° / 90°
• Hydraulic system	
Pressure	3550 psi
Pump hydraulic flow	18.9 gal/ min x 2 + 14.0 gal/ min
Type-Piston / Gear	2 Piston + 2 Gear
Auxiliary Flow	18.9 gal
• Backfill blade	
Size	87" x 20"
Lift above ground / Drop below ground	17.1" / 16.5"



Additional Counterweight
(Standard Equipment)



Steel Shoe
(Optional)

■ Options

• Buckets	
12"	
18"	
24"	
30"	
36"	
48" Ditch Cleaning Bucket	
60" Ditch Cleaning Bucket	
60" Hydraulic Swivel Bucket	
• Steel Tracks	
• Hydraulic Thumb	
• Quick Coupler	