

# IHI

COMPACT EXCAVATOR SALES LLC

EST. 1994

400 Production Court  
Elizabethtown, KY 42701  
Phone: 800.538.1447 Fax 270.737.0419  
www.ihices.com

## AS12



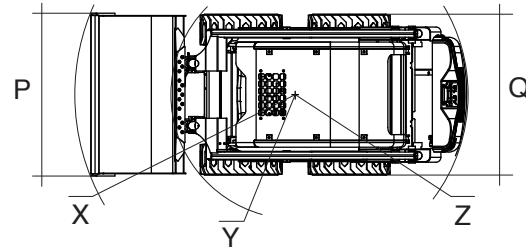
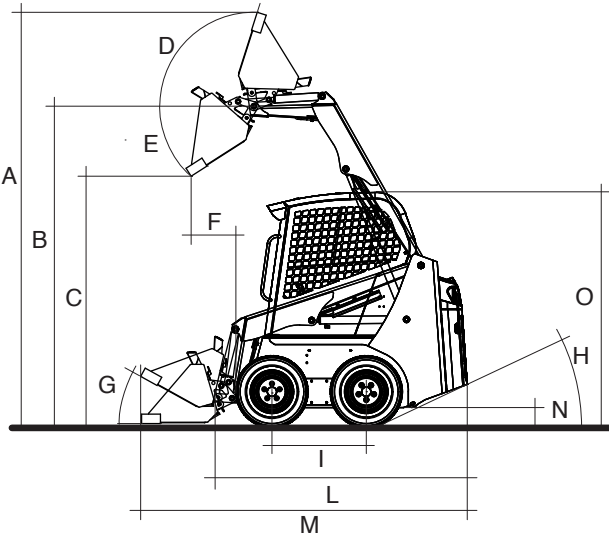
Reliability, speed, *PILOT OPERATED JOYSTICK* controls and compactness:

These are the Key features of The New AS-12 Skid Steer Loader.

The AS-12 is ideal for working in confined spaces with maximum flexibility. With an operating weight of 2955 lbs., the AS-12 can handle an operating load (SAE Standard) of up to 728 lbs., with a breakout force of 1658 ft/lb. The AS-12 Skid Steer Loader is equipped with a 21 Hp. Yanmar Diesel engine ensuring excellent performance in the most complex applications.

## ■ Working Ranges and Dimensions

# AS12



A Operating Height - Fully Raised	10'10"
B Height to Hinge Pin - Fully Raised	8'4"
C Dump Height	6'8"
D Bucket Tilt Angle	112°
E Dumping Angle at Max Height	31°
F Dump Reach - Fully Raised	1'2"
G Maximum Rollback at Ground	34°
H Departure Angle	27°
I Wheel Base Length	2'6"
L Total Length (w/o bucket)	6'7"
M Total Length	8'6"
N Minimal Ground Clearance	6"
O Overall Height	6'2"

P Bucket Width	3'2" - 3'8"
Q Crawler Width	3'1" - 3'8"
X Front Clearance Radius (with bucket)	5'1"
Y Front Clearance Radius	2'8"
Z Rear Clearance Radius	3'11"

## ■ AS12 Specifications

Performance		Std bucket width/capacity	
Operating weight	2955 lbs.	Standard bucket	13.06 cu/ft
Transportation weight	2778 lbs.	Tires	23 - 8.50 x 12
SAE load capacity 35%	728 lbs.	ROPS / FOPS protection	ROPS cage compliant with ISO 3471:1994
Tipping load 50%	1455 lbs.		FOPS cage compliant with ISO 3449:1998 Level 1
Bucket Breakout Force	1658 ft/lb		
Maximum travel speed	0-4.35 mph		
Engine		Refilling	
Manufacturer	Yanmar	Cooling system	1 gallon
Engine	3TNV76	Fuel tank	5.3 gallons
Rated output	21hp/2,500 rpm	Hydraulics	10.3 gallons
Battery	12V	Hydraulics tank capacity	5.3 gallons
Fuel consumption	1.26 gal/hr	Noise level	
Cooling system	water cooled	Sound pressure level (operator)	85 db
Fuel tank capacity	2.2 gallons	Sound pressure level (external)	101 db
Hydraulic System			
Hydraulic pressure	2610 psi		
Auxiliary Flow	7.4 gpm		



Distributed by **Compact Excavator Sales LLC**

400 Production Court, P.O. Box 667 • Elizabethtown, KY 42702-0667 • Phone: 1-800-538-1447 • Fax: 270-737-0419

[www.ihices.com](http://www.ihices.com)