



COMPACT EXCAVATOR SALES LLC

400 Production Court
Elizabethtown, KY 42701
Phone: 800.538.1447 Fax 270.737.0419
www.ihices.com

iC120

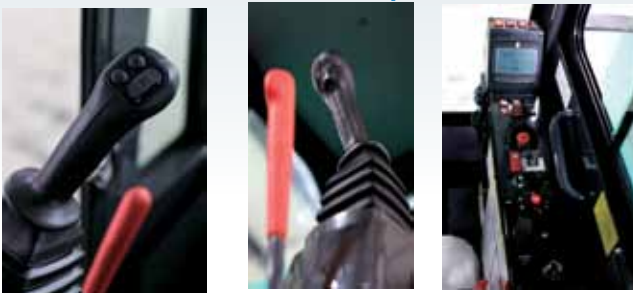
Crawler Carrier

Payload : 24,250 lbs.



CRANES ■ DIGGER DERRICKS ■ SEISMIC DRILLS ■ TANKS ■ FLAT BED

■ IC120 Next Generation of Operation



All travel and bed operations are controlled by a single hydraulic pilot joystick.

- Eco-friendliness and Safety**
 - Powered by large 7.8L clean engine.
 - Overrun and inclination warning systems, and Auto parking brake equipped.
 - Low center of gravity and long crawlers for outstanding stability.
 - Gate lock for added safety.

- Easy Operation**
 - Total machine height of 9'6" for easy transport.
 - Joystick lever optimal for single-handed driving.
 - Instrument panel concentrated on right side of seat.
 - Large-capacity 95 gal fuel tank.

- Easy Maintenance**
 - Corrosion-resistant aluminium radiator and oil cooler.
 - A 4-segmented sprocket allows replacement without removing the rubber crawler.
 - Bolt-on type lower roller for easy replacement.
 - One-touch front cover for easy opening/closing.

- Rugged Body**
 - Tough vessel.
 - Vessel floor constructed of ultra wear-resistant steel.
 - High-durability lower rollers.
 - Strong dual dump cylinders.

■ IC120 Maintenance made easy



Maintenance is made easy with segmented sprockets, all travel motors and lowers rollers are sealed. Rear engine covers are removeable to easily access components such as hydraulic valves, solenoids, and the engine filtering systems.

Cabin Features:

- Heat and Air Conditioning
- Adjustable high back suspension seat
- Right Console joystick for drive and dump bed



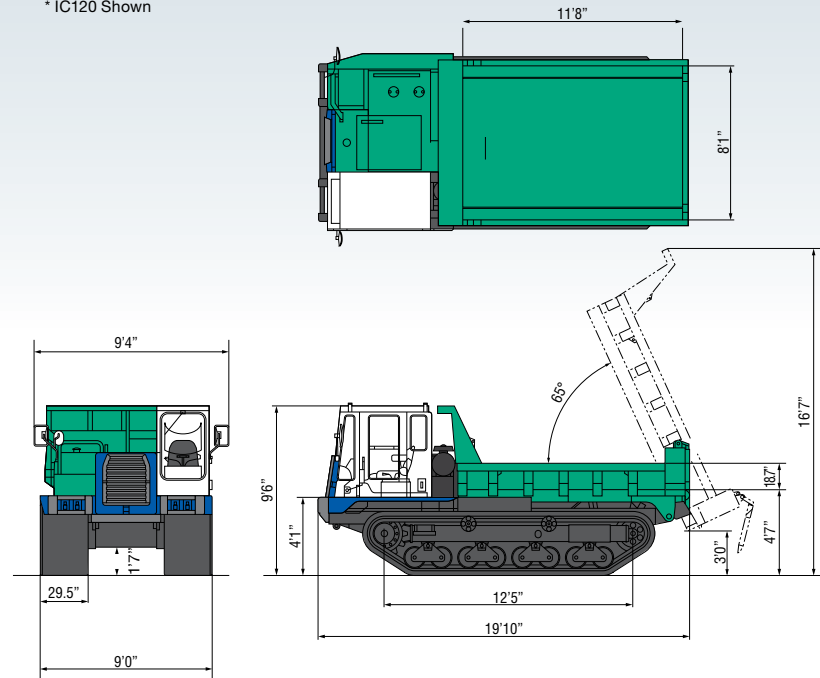
IC120 Specifications

Equipped Cabin w/AC/Heat Std.	IC120	
Payload	24,250 lbs.	
Transportation weight	31,085 lbs.	
Travel speed	Forward	5.0/6.8 mph
	Backwards	5.0/6.8 mph
Dimensions	Total length	18'10"
	Total width	9'4"
	Total height	9'6"
Engine	Name	Cummins QSL9
	Rated horsepower	289 hp
	Cylinders / Displacement	6-8900
	Combustion type	Direct-injection turbo diesel
	Emission Conformity	Interim Tier 4
Fuel tank capacity	95 gals	
Crawler	Tumbler center distance	12'5"
	Crawler total width	9'0"
	Crawler width	29.5"
Min. ground clearance	19"	
Ground pressure	Empty	4.71 psi
	Loaded	8.5 psi
Vessel capacity	Heaped	10.0 cu. ft.
	Level	7.5 cu. ft.
Vessel internal dimensions	Length	11'8"
	Width	8'1"
	Height	1'7"
Vessel	Vessel floor height	4'7"
	Max. dumping angle	65°
	Dump clearance	3'0"
Standard vessel	Boat-shaped rear-opening bezel	
Travel system	HST	
Speed change system	2-speed motor	
Braking system	HST brake + Auto parking brake	
Hydraulic Oil Tank Capacity	39.1 gals	
Travel Steering Type	Single Pilot Operated Joystick	

IC120

The Maximum 11t Payload Carrier for this World-Class Series

Dimensions (Unit: ft-in)
* IC120 Shown



Distributed by **Compact Excavator Sales LLC**

400 Production Court, P.O. Box 667 • Elizabethtown, KY 42702-0667 • Phone: 1-800-538-1447 • Fax: 270-737-0419

www.ihices.com