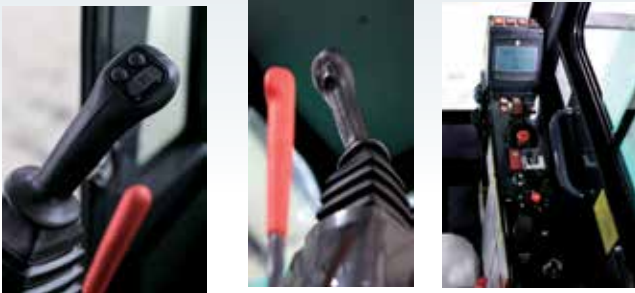


Payload : 14,332 lbs.



**CRANES ■ DIGGER DERRICKS ■ SEISMIC DRILLS ■ TANKS ■ FLAT BED**

**■ IC75-2 Next Generation of Operation**



All travel and bed operations are controlled by a single hydraulic pilot joystick.

- Eco-friendliness and Safety**
- Powered by large Cummins Diesel Engine.
  - Overrun and inclination warning systems, and Auto parking brake equipped.
  - Low center of gravity and long crawlers for outstanding stability.
  - Gate lock for added safety.

- Easy Operation**
- Total machine width of 8'6" for easy transport.
  - Joystick lever optimal for single-handed driving.
  - Instrument panel concentrated on right side of seat.
  - Large-capacity 67.4 gal fuel tank.

- Easy Maintenance**
- Corrosion-resistant aluminium radiator and oil cooler.
  - A 4-segmented sprocket allows replacement without removing the rubber crawler.
  - Bolt-on type lower roller for easy replacement.
  - One-touch front cover for easy opening/closing.

- Rugged Body**
- Tough vessel.
  - Vessel floor constructed of ultra wear-resistant steel.
  - High-durability lower rollers.
  - Strong dual dump cylinders.

**■ IC75-2 Maintenance made easy**



Maintenance is made easy with segmented sprockets, all travel motors and lower rollers are sealed. Rear engine covers are removable to easily access components such as hydraulic valves, solenoids, and the engine filtering systems.

**Cabin Features:**

- Heat and Air Conditioning
- Adjustable high back suspension seat
- Left Console joystick for drive and dump bed

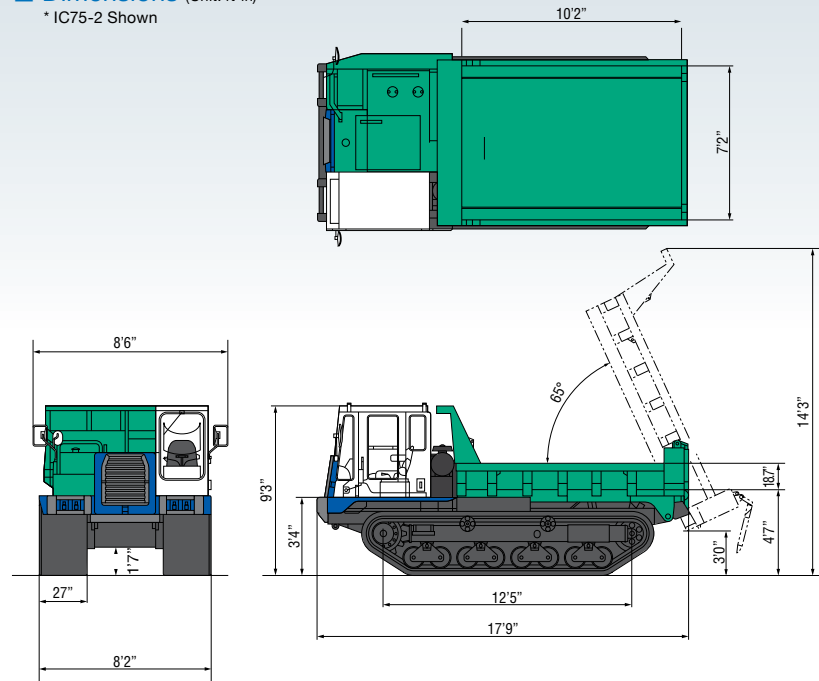


**IC75-2 Specifications**

Equipped Cabin w/AC/Heat Std.	IC75-2	
Payload	14,332 lbs.	
Transportation weight	23,152 lbs.	
Travel speed	Forward	5.2 mph
	Backwards	7.4 mph
Dimensions	Total length	17'9"
	Total width	8'6"
	Total height	9'3"
Engine	Name	Cummins QSB6
	Rated horsepower	225 hp
	Cylinders / Displacement	6-6686cc
	Combustion type	Direct-injection turbo diesel
	Emission Conformity	Tier 4 Final
Fuel tank capacity	67.3 gallons	
Crawler	Tumbler center distance	12'5"
	Total crawler width	8'2"
	Track width	27"
Min. ground clearance	21"	
Ground pressure	Empty	3.55 psi
	Loaded	5.77 psi
Vessel capacity	Heaped	5.76 cu. ft.
	Level	3.26 cu. ft.
Vessel internal dimensions	Length	10'2"
	Width	7'2"
	Height	15"
Vessel	Vessel floor height	4'2"
	Max. dumping angle	65°
	Dump clearance	3'0"
Standard vessel	Boat-shaped rear-opening vessel	
Travel system	HST	
Speed change system	2-speed motor	
Braking system	HST brake + Auto parking brake	
Travel Steering Type	Single Pilot Operated Joystick	

# ic75-2

**Dimensions** (Unit: ft-in)  
\* IC75-2 Shown



Distributed by **Compact Excavator Sales LLC**

400 Production Court, P.O. Box 667 • Elizabethtown, KY 42702-0667 • Phone: 1-800-538-1447 • Fax: 270-737-0419

[www.ihices.com](http://www.ihices.com)